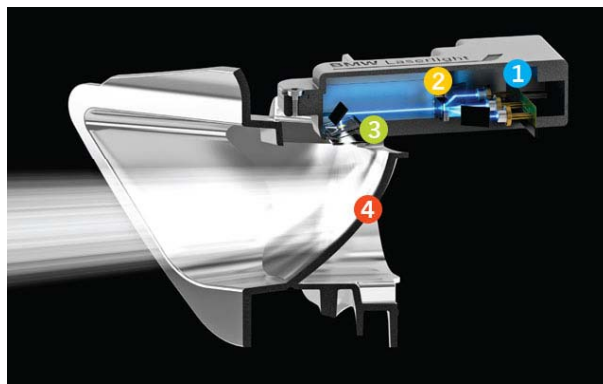


- Other LED applications?
 - Movable cart, pallet lighting
 - Box-truck, tractor trailer lighting
 - Refrigerated storage lighting
- Control of LED systems?
 - Are (frequent) adjustments needed?
 - Wireless communication?
- ‘Speaking plant’ approach?
 - Have the plant tell us how much light it needs?

• Laser headlights (BMW i8)



Claims:

- 30% more efficient compared to LED
- 1,800 ft beam



Plug-in hybrid

1. Laser diodes create three separate beams of blue laser light.
2. The beams are directed through a prism, merging into a single beam.
3. The concentrated beam passes through a phosphorous lens that yields a diffuse white light, which is safer for human eyes.
4. The white beam bounces off a reflector and past a clear lens onto the road.

<http://www.popularmechanics.com/>